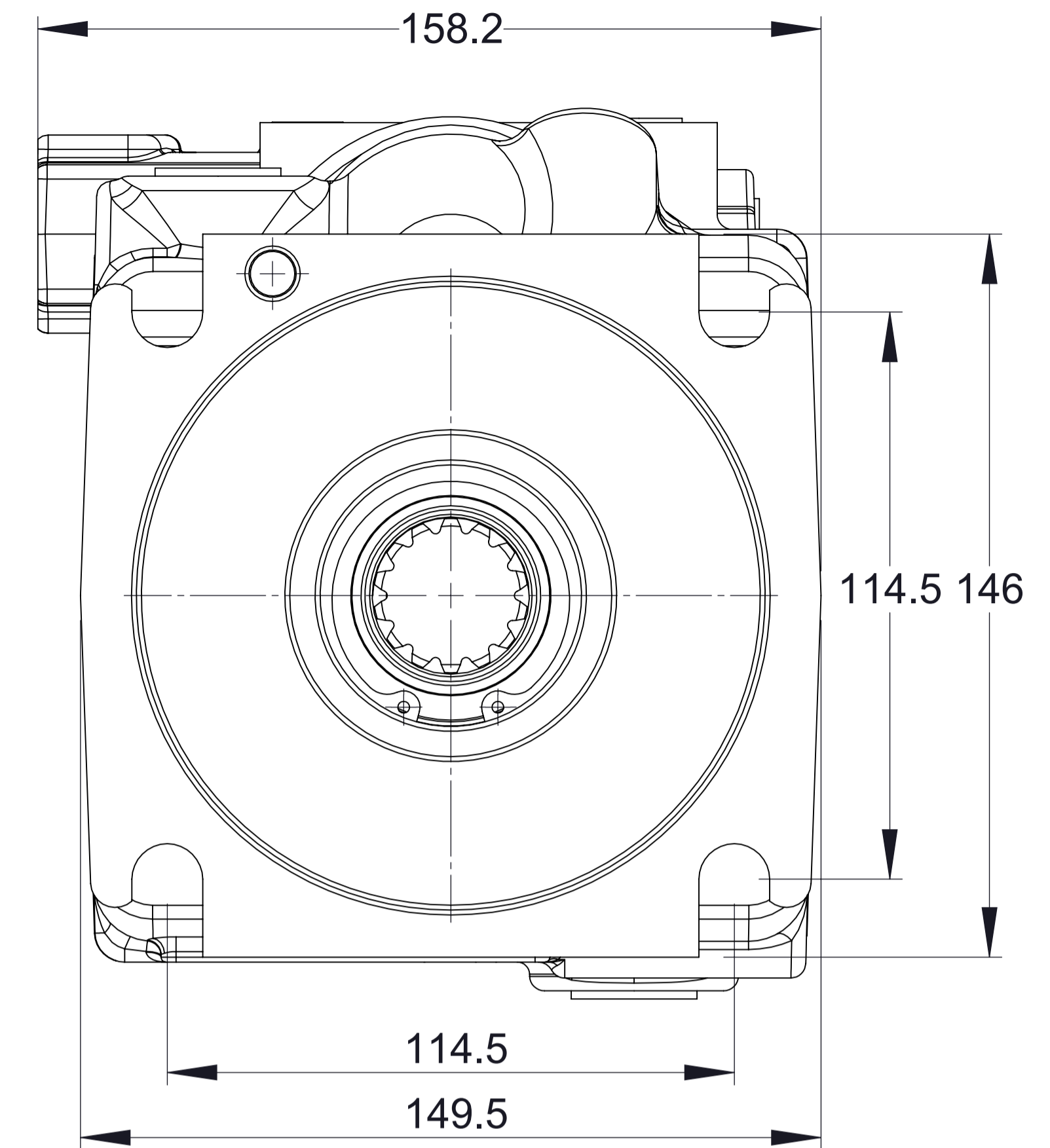
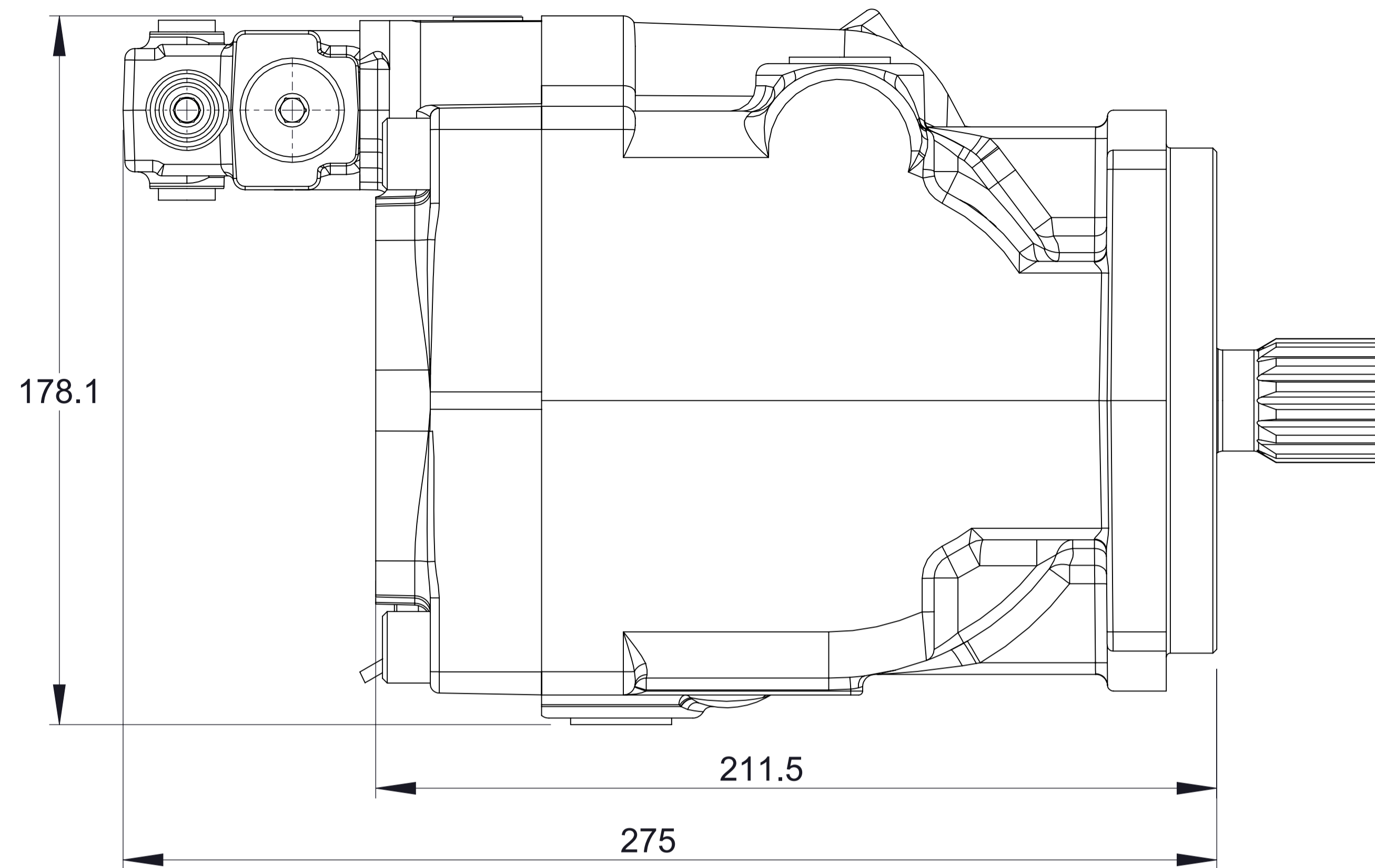
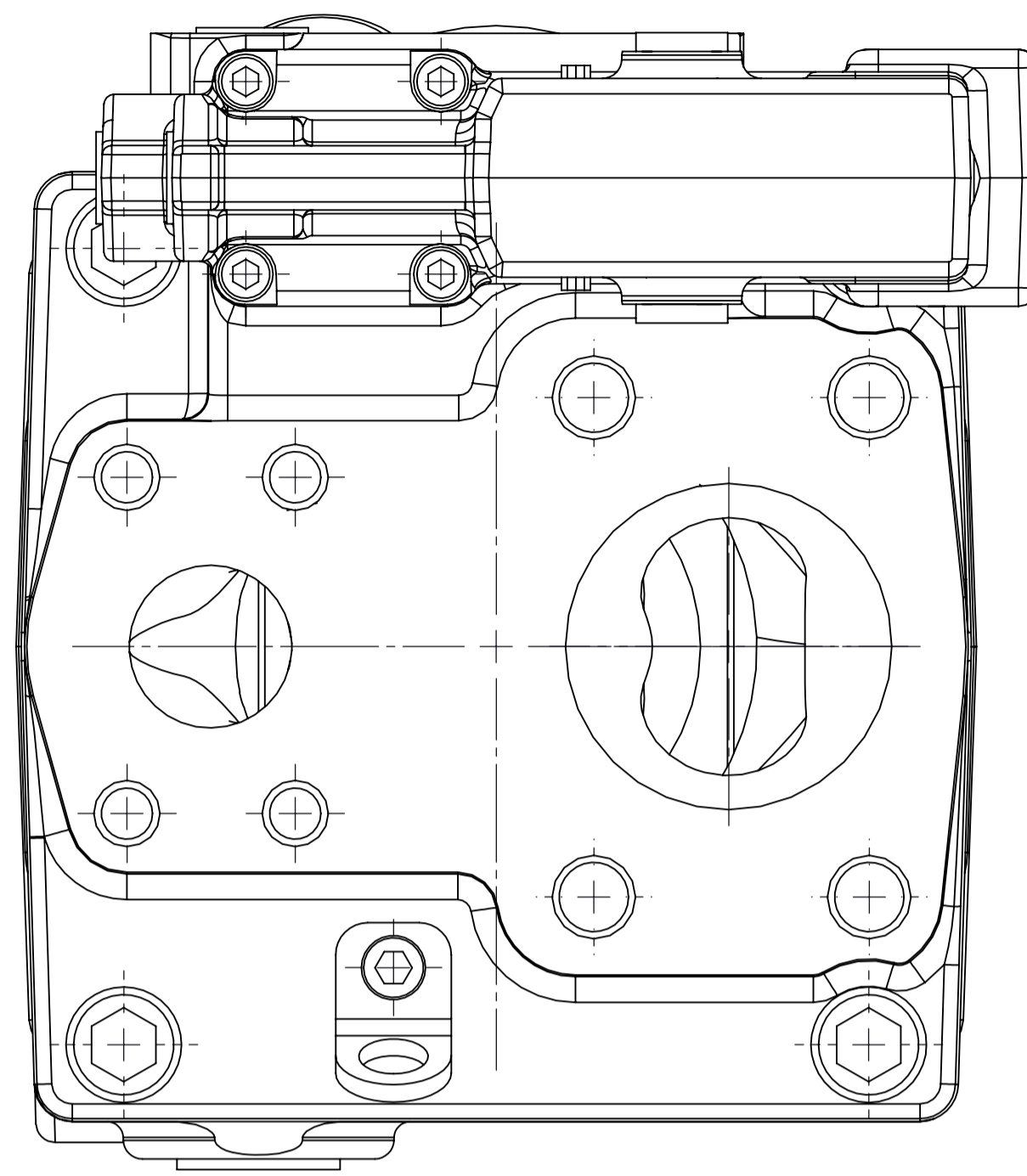
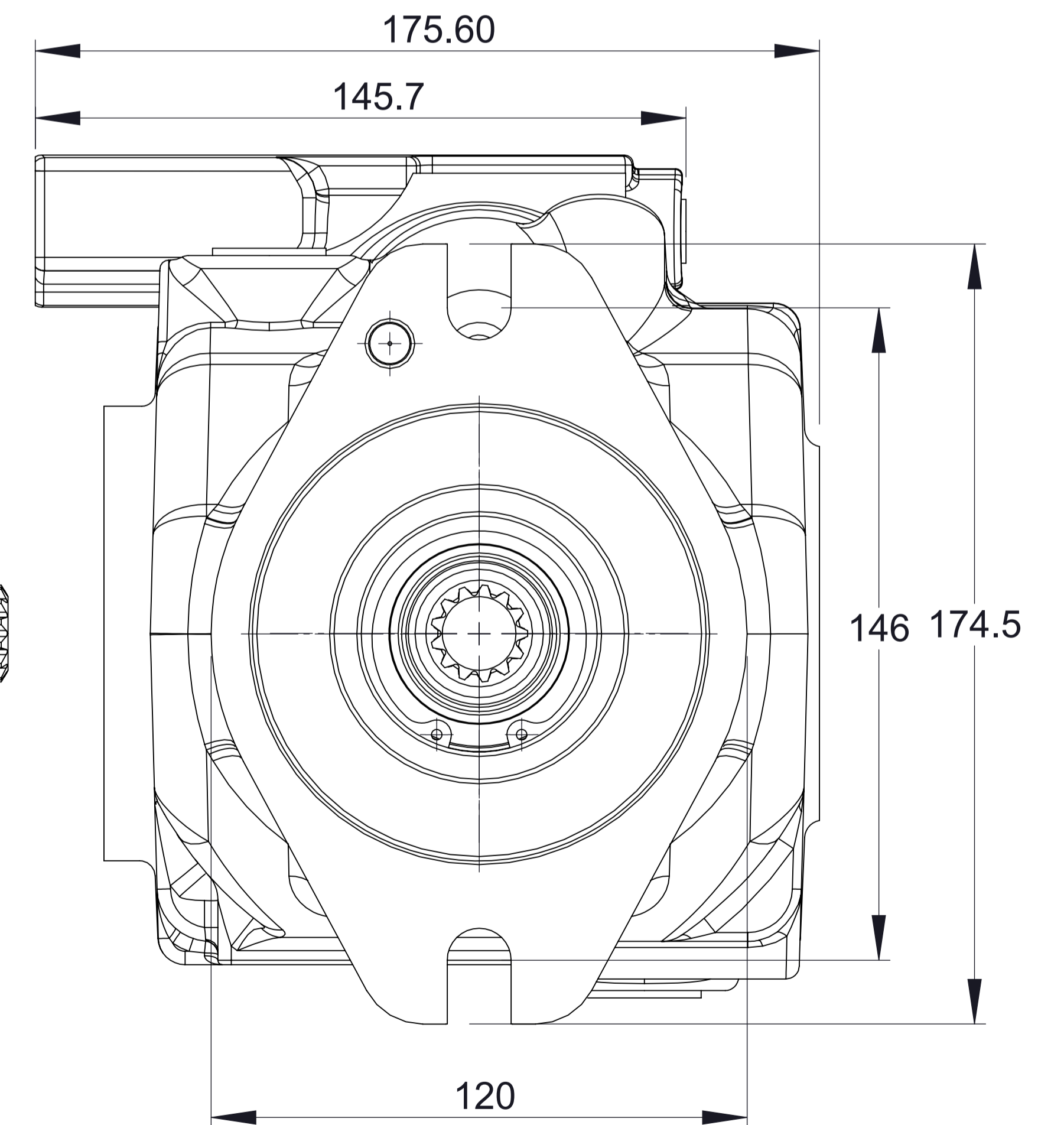
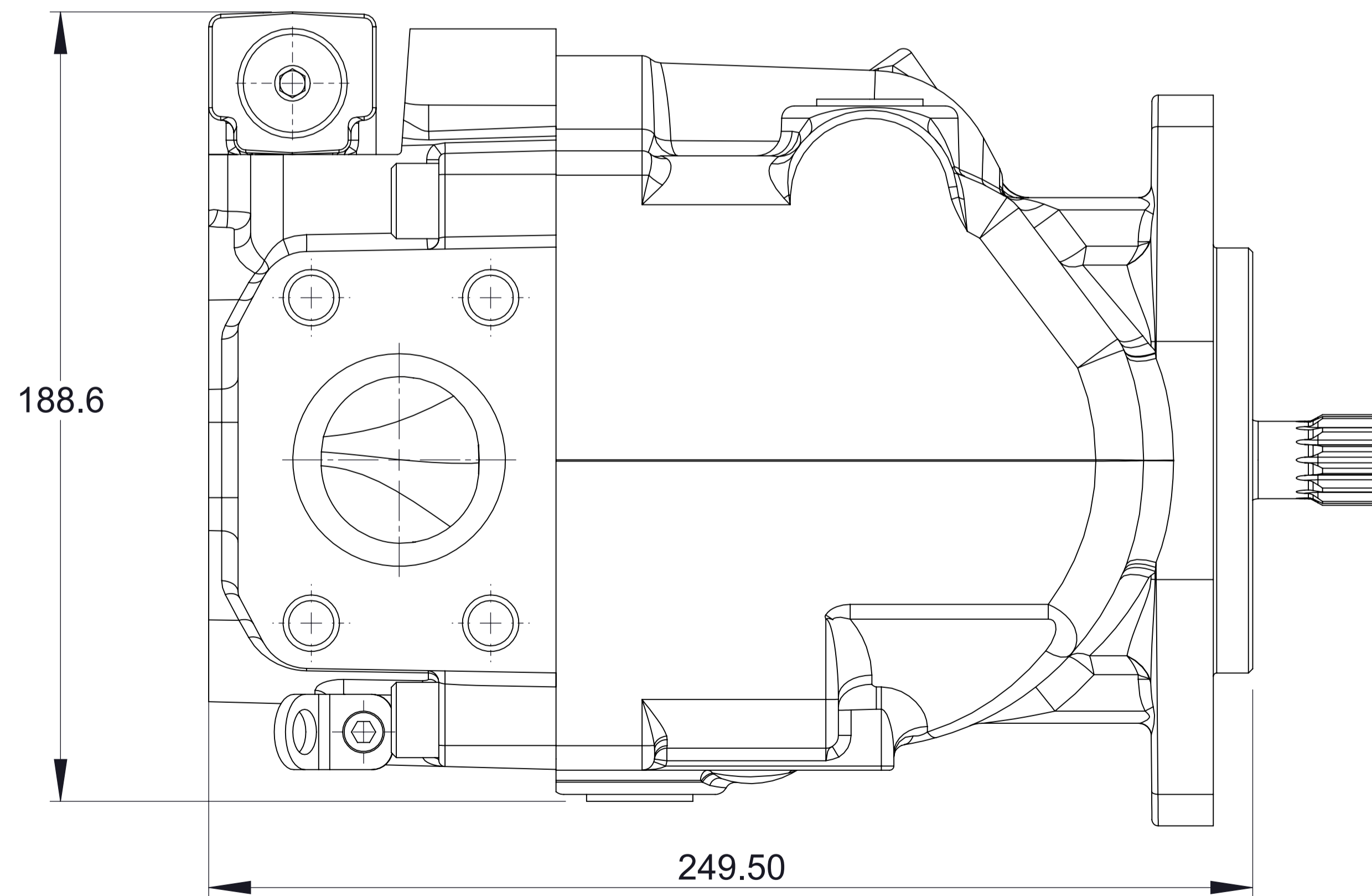
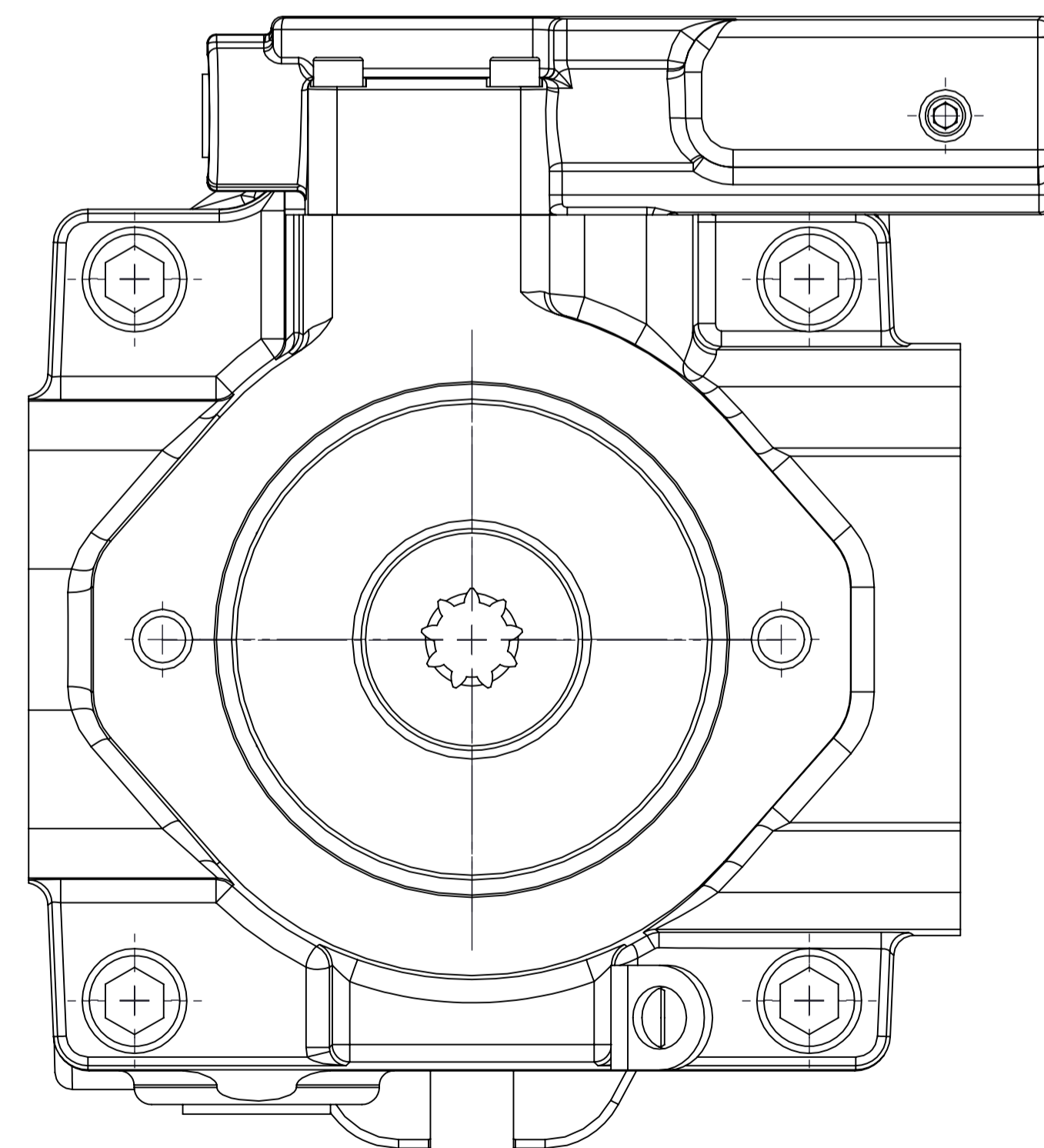


PUMP SHOWING END PORTS AND 4 BOLT INPUT FLANGE. FOR SHAFT OPTIONS SEE TABLE ON WEBSITE.



PUMP SHOWING SIDE PORTS AND 2 BOLT INPUT FLANGE. FOR SHAFT OPTIONS SEE TABLE ON WEBSITE.



				PROJECTION
				STATUS
				DRN
ISSUE	ALTERATION	DATE	DRN	DATE

HARDY
 UNIT D MILDMAY IND EST, FOUNDRY LANE
 BURNHAM ON CROUCH, ESSEX, CM0 8SH
 TEL: 00 44 (0)1621 782726 FAX: 00 44 (0)1621 785645

REF

TITLE: PORT AND INPUT FLANGE OPTIONS
NO:

SCALE:
ISSUE: 01