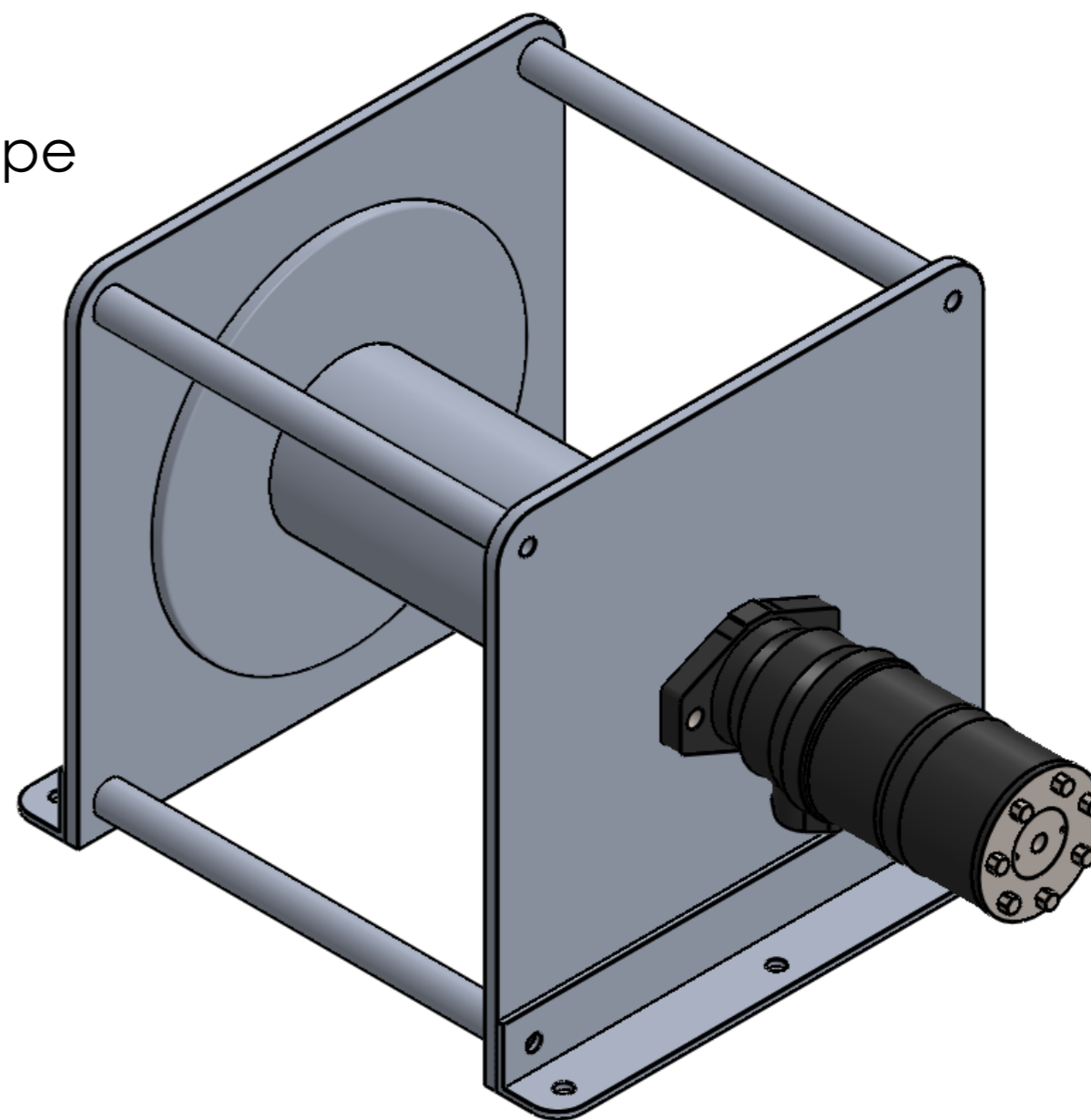


High speed parascending winch

- Recommended for parawinch operation
- Maximum rated pull 750 kg
- Line speed of 100 m/min
- Lightweight aluminium construction of 40 kg
- Efficient direct drive hydraulic motor
- High capacity drum holds 150 m of 10 mm dia. rope



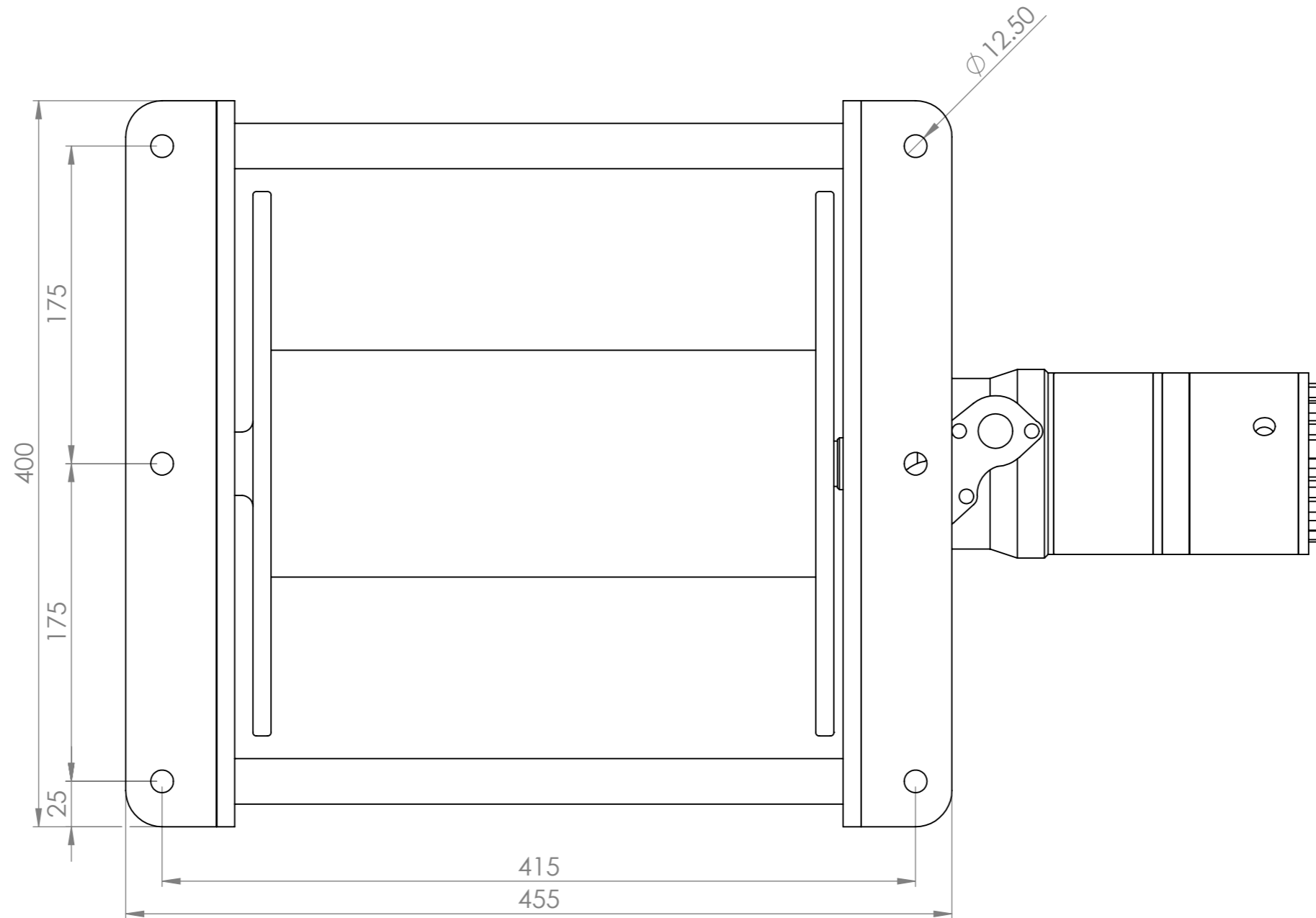
				PROJECTION:	 UNIT D, MILDMAY IND EST, FOUNDRY LANE BURNHAM ON CROUCH, ESSEX, CM0 8SH TEL: 00 44(0)1621 782726 FAX: 00 44(0)1621 785645 email@hardyengineering.com	REF:	TITLE:	
				STATUS:				
				DRAWN:DMF				
				DATE:19/08/2015				
ISSUE	ALTERATION	DRN	DATE				DWG NO.:Para winch 750	ISSUE:

Note:

Drawing shows the footprint of the winch and the hole spacings for fixing.

Bolt size for fixing is M12

IF IN DOUBT PLEASE ASK



				PROJECTION:
				STATUS:
				DRAWN: DMF
				DATE: 19/08/2015
ISSUE	ALTERATION	DRN	DATE	


 UNIT D, MILDMAY IND EST, FOUNDRY LANE
 BURNHAM ON CROUCH, ESSEX, CM0 8SH
 TEL: 00 44(0)1621 782726 FAX: 00 44(0)1621 785645
 email@hardyengineering.com

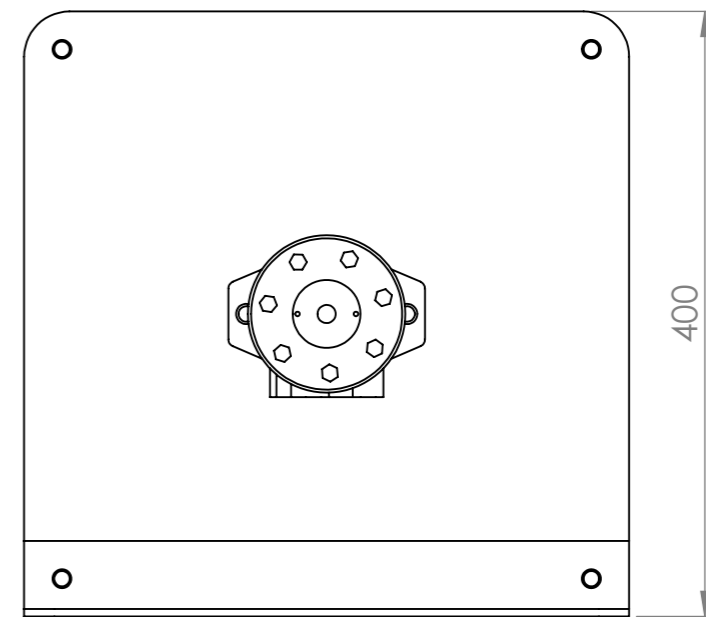
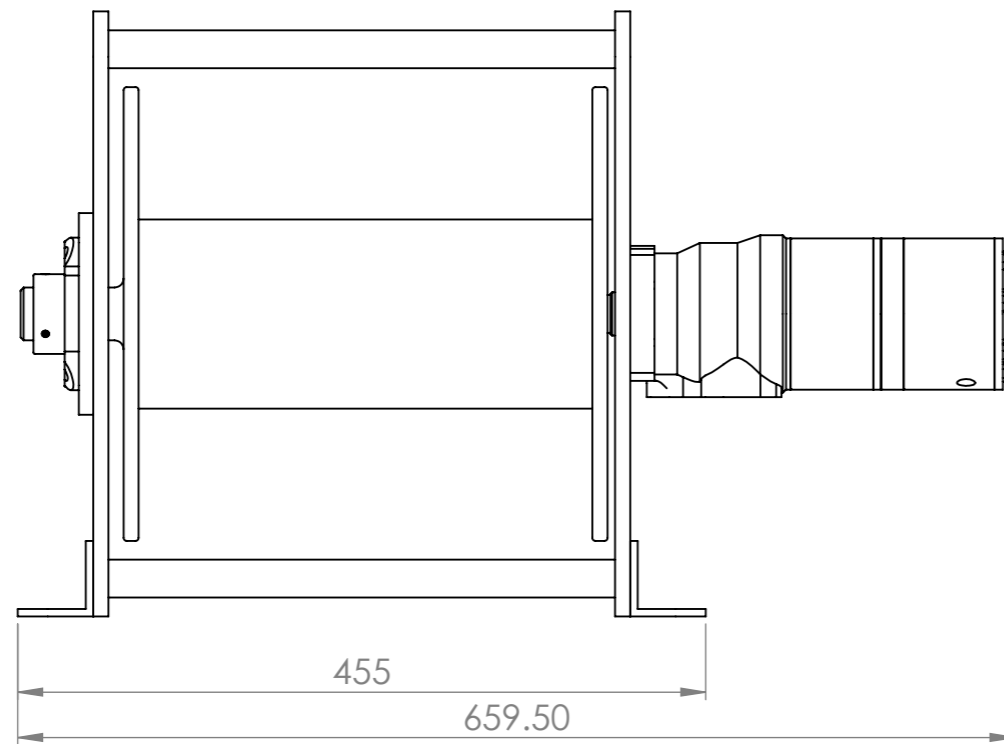
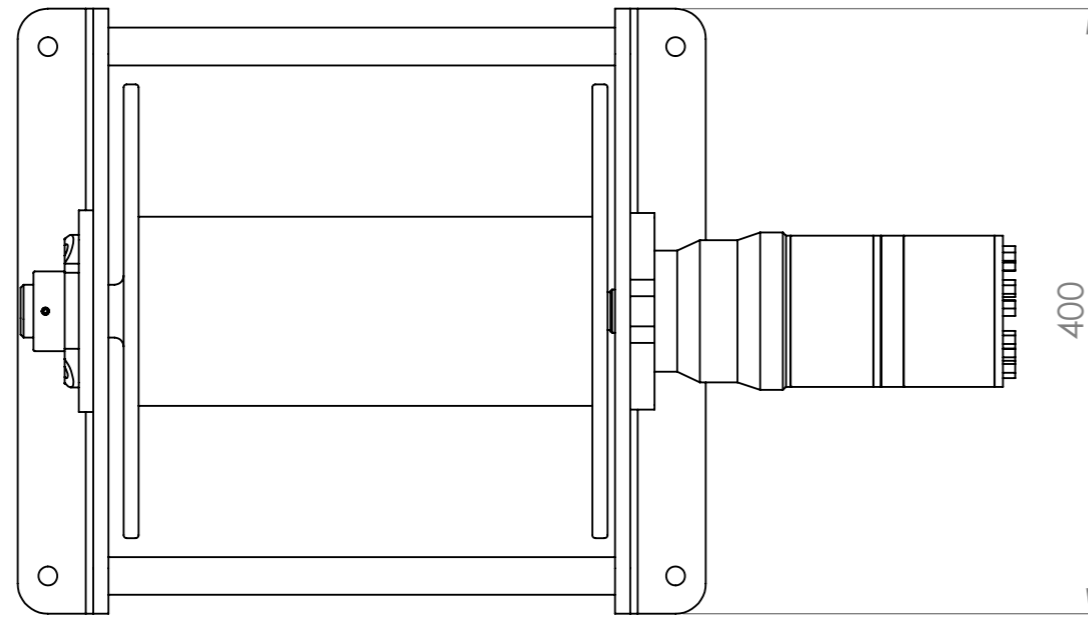
REF:

TITLE: Bottom view/fixing layout
DWG NO.: Para winch 750
ISSUE:

Note:

IF IN DOUBT PLEASE ASK

Drawings show the overall dimensions of the winch



				PROJECTION:
				STATUS:
				DRAWN: DMF
				DATE: 19/08/2015
ISSUE	ALTERATION	DRN	DATE	


 UNIT D, MILDMAY IND EST, FOUNDRY LANE
 BURNHAM ON CROUCH, ESSEX, CM0 8SH
 TEL: 00 44(0)1621 782726 FAX: 00 44(0)1621 785645
 email@hardyengineering.com

REF:

TITLE: Overall dimensions

DWG NO.: Para winch 750

ISSUE: