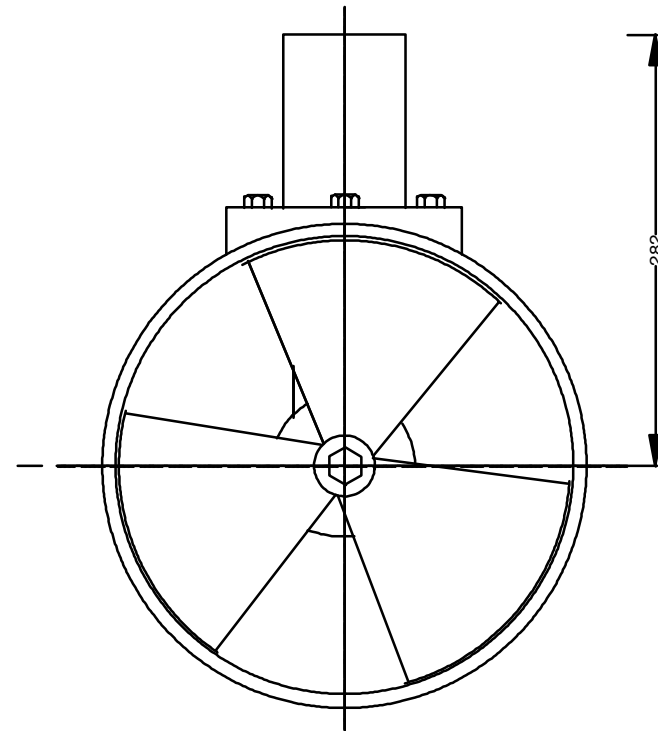
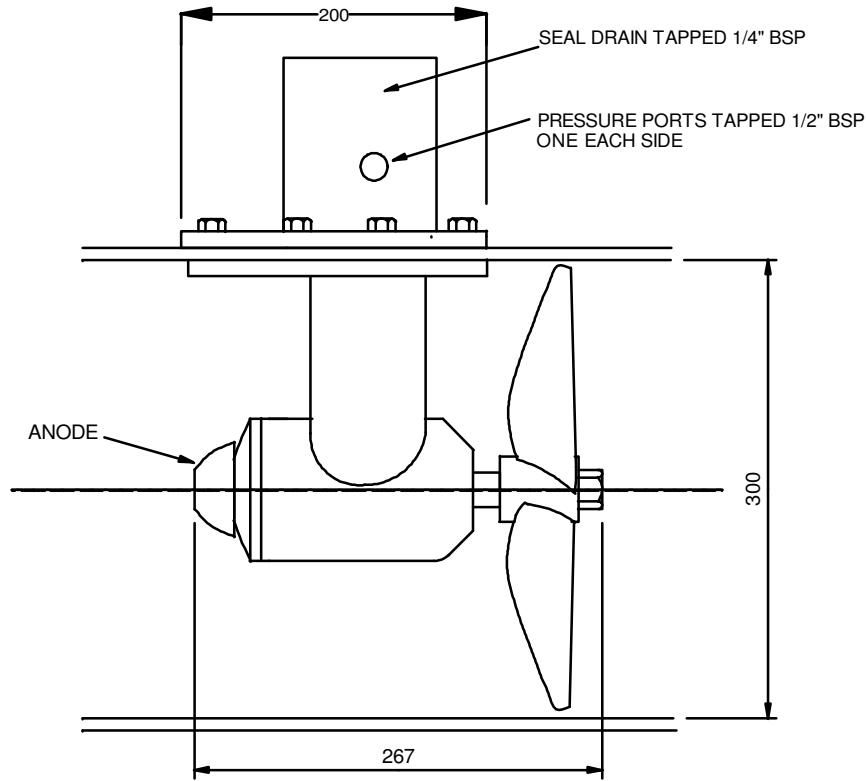


IF IN DOUBT PLEASE ASK



		DIMENSIONS			MM
		SCALE			NTS
2	ANODE ADDED	10/03/99	JWH	DRN	JWH
ISSUE	ALTERATION	DATE	DRN	DATE	1/8/98

TORKMASTER
 FOUNDRY LANE, BURNHAM - ON - CROUCH
 Tel: 01621 782726 Fax: 01621 785645

REF

TITLE		T300 THRUSTER
NO:	TS020G01	ISSUE:
		2