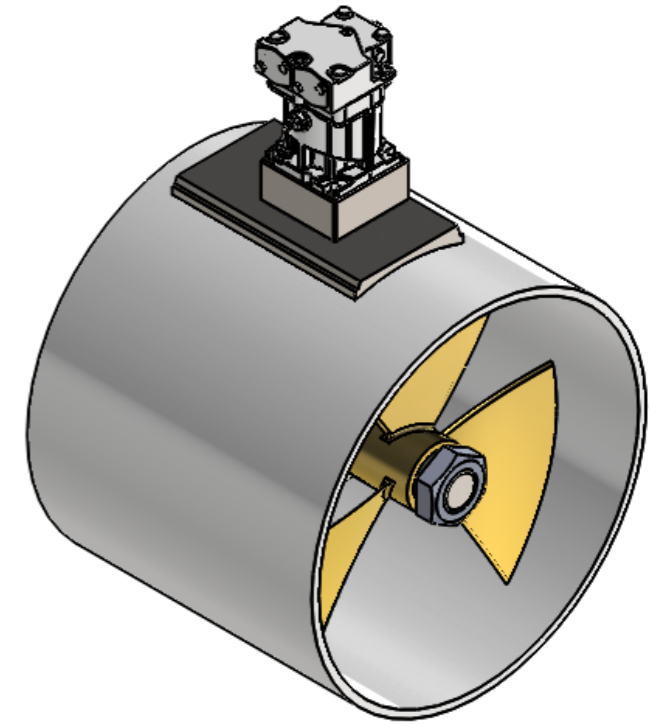
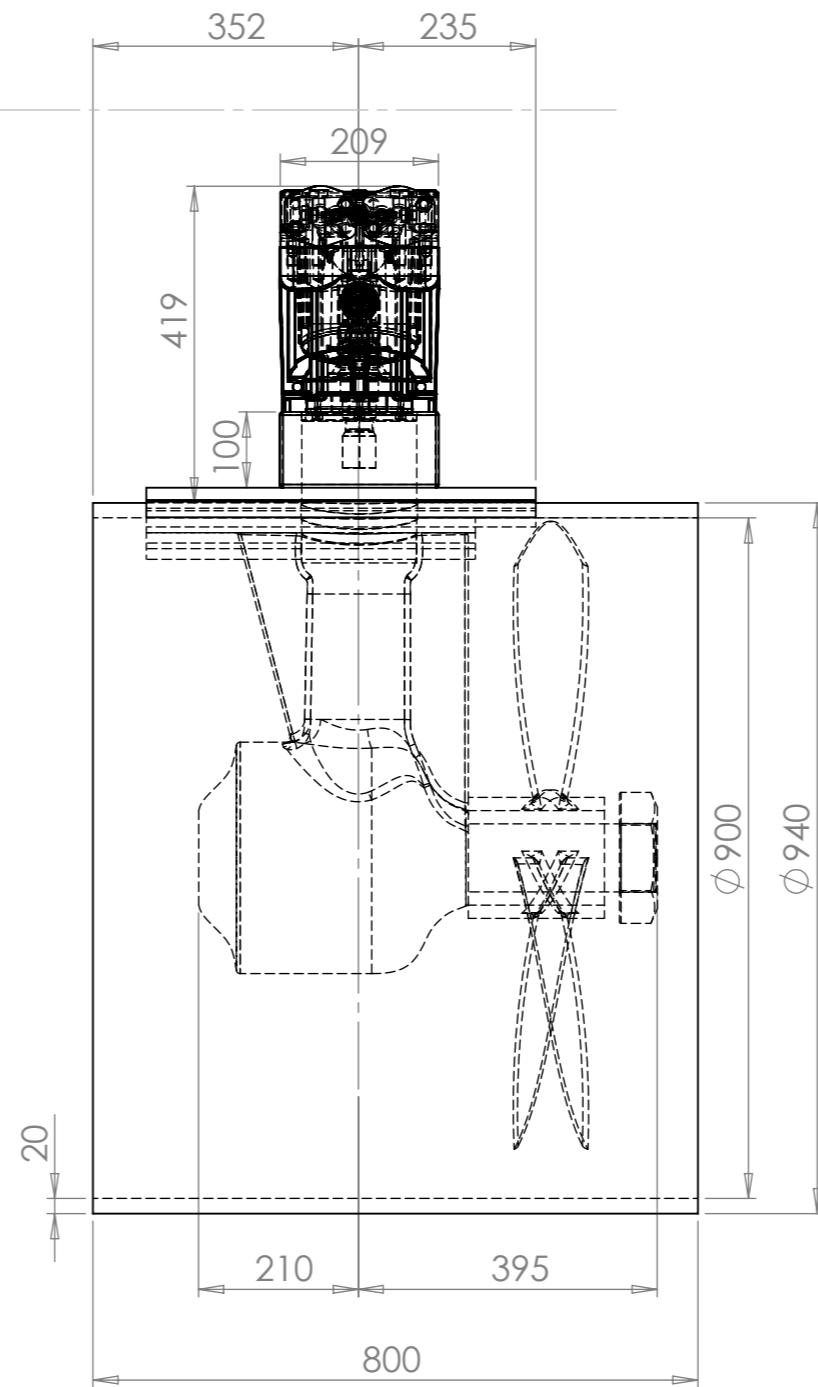
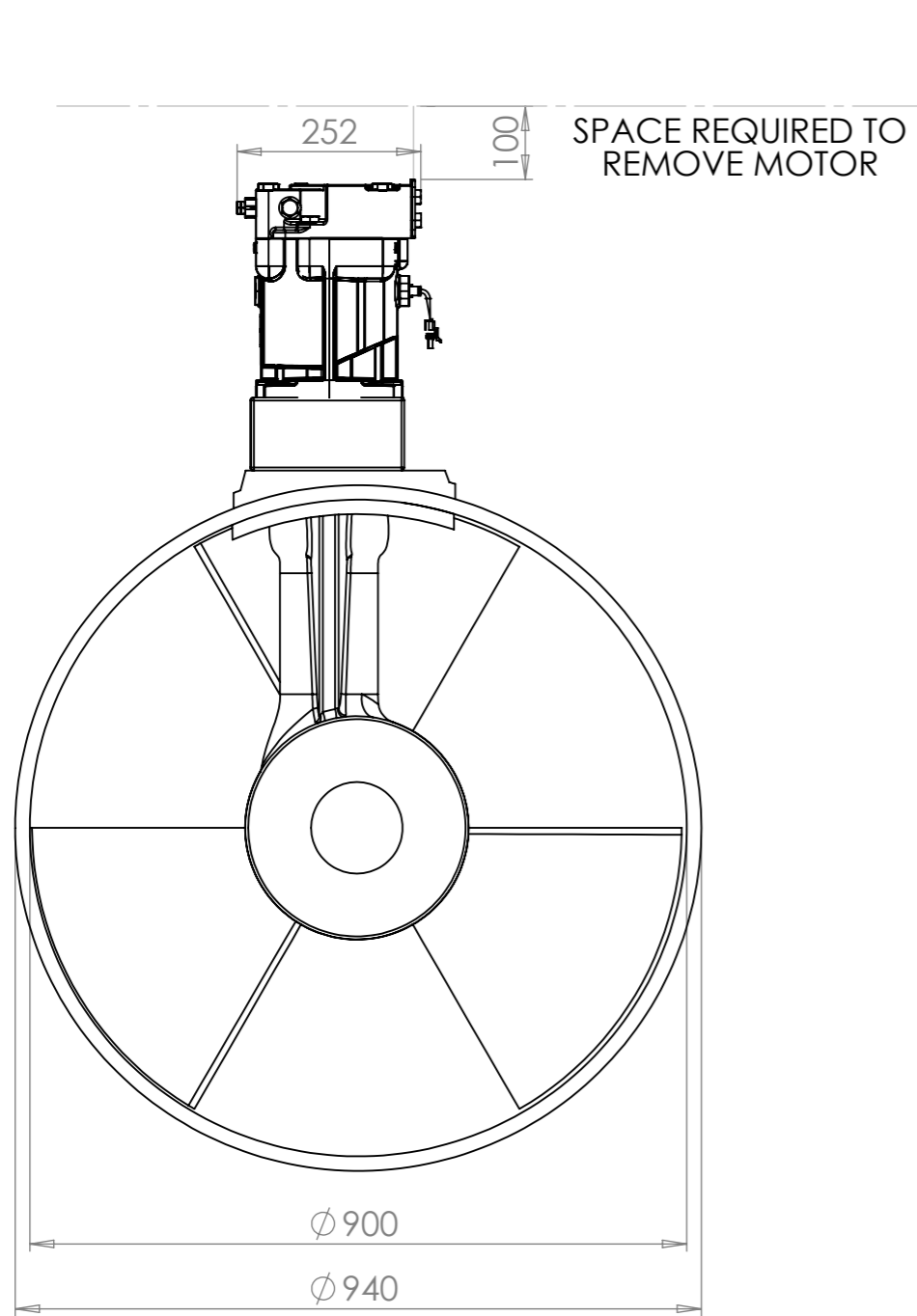


IF IN DOUBT PLEASE ASK



				PROJECTION:
				STATUS:
				DRAWN: CP
				DATE: 05/12/11
ISSUE	ALTERATION	DRN	DATE	

**HARDY**

UNIT D, MILDMAY IND EST, FOUNDRY LANE  
BURNHAM ON CROUCH, ESSEX, CM0 8SH  
TEL: 00 44(0)1621 782726 FAX: 00 44(0)1621 785645  
email@hardyengineering.com

REF:

TITLE: 300 HP GA

DWG NO.: TS300G M147T001

ISSUE: 01