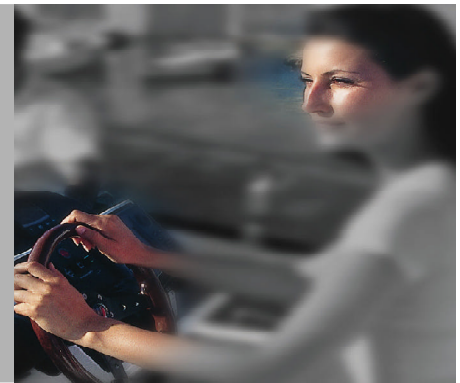


SIDE-POWER

Thruster systems



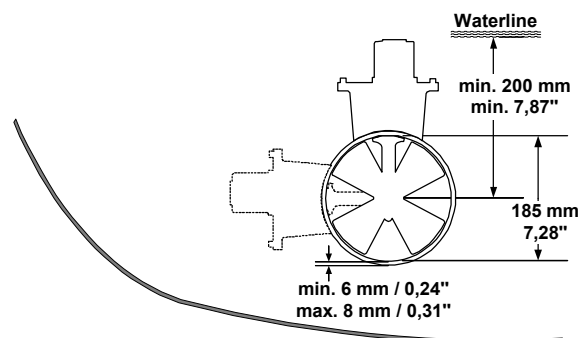
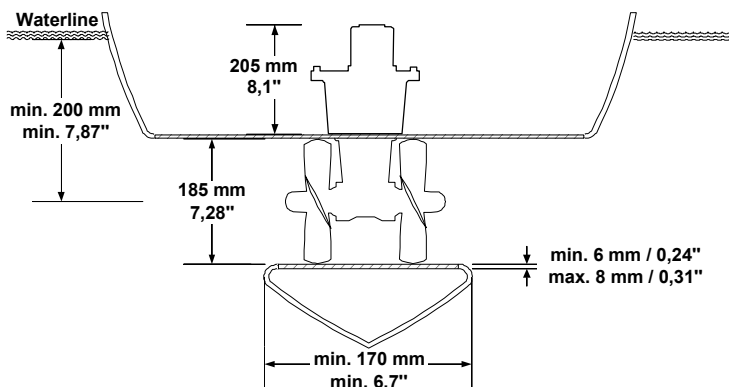
SP 100 HYD



MAIN FEATURES

Light duty thrust	100 kg / 220 lbs.
Heavy duty thrust	80 kg / 176 lbs.
Tunnel diameter	185 mm / 7,28"
Propulsion system	Twin
Hydraulic power*	8,1 kW / 10,9 Hp
Propeller output	6,5 kW / 8,7 Hp
Hydraulic motors	6 / 8,5 / 11 ccm
Flow rating up to	26 / 37 / 48 lit./min.
Pressure drop up to	186 / 131 / 101 bar
Weight	9,0 kg / 19,8 lbs.

* most hydraulic thrusters are rated at their necessary hydraulic power supply



Sleipner Motor AS

P.O. Box 519
N-1612 Fredrikstad
Norway

Tel: +47 69 30 00 60
Fax: +47 69 30 00 70

www.side-power.com
sidepower@sleipner.no

