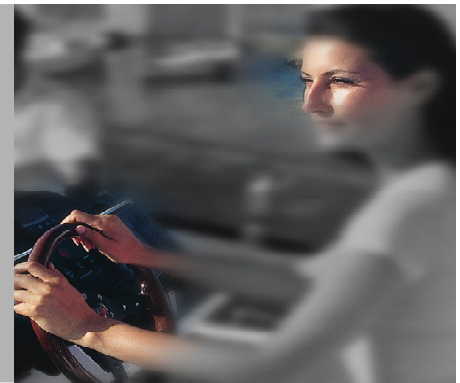


# SIDE-POWER

## Thruster systems



# SP 550 HYD

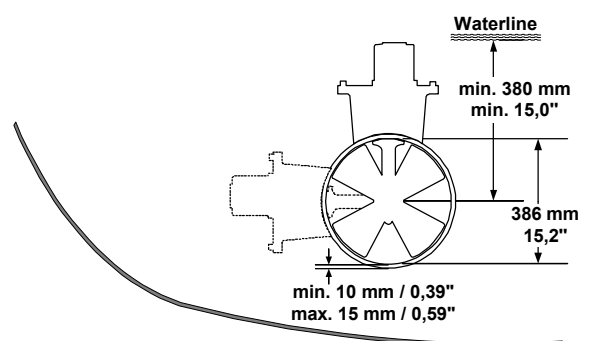
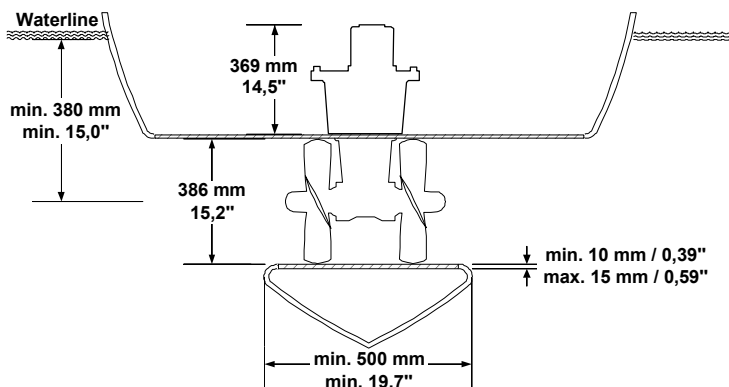


### MAIN FEATURES

Light duty thrust	550 kg / 1210 lbs.
Heavy duty thrust	500 kg / 1100 lbs.
Tunnel diameter	386 mm / 15,2"
Propulsion system	Counter rotating
Hydraulic power*	42,3 kW / 56,7 Hp
Propeller output	33 kW / 44,3 Hp
Hydraulic motors	33 / 37 / 44 / 50 / 60 ccm
Flow rating up to	63 / 70 / 80 / 99 / 119 lit./min.
Pressure drop up to	244 / 235 / 225 / 198 / 156 bar
Weight	52,6 kg / 115,7 lbs.
Weight	42,1 kg / 92,6 lbs.**

\*\*with aluminium gearhouse

\* most hydraulic thrusters are rated at their necessary hydraulic power supply



**Sleipner Motor AS**

P.O. Box 519  
N-1612 Fredrikstad  
Norway

Tel: +47 69 30 00 60  
Fax: +47 69 30 00 70

[www.side-power.com](http://www.side-power.com)  
[sidepower@sleipner.no](mailto:sidepower@sleipner.no)

